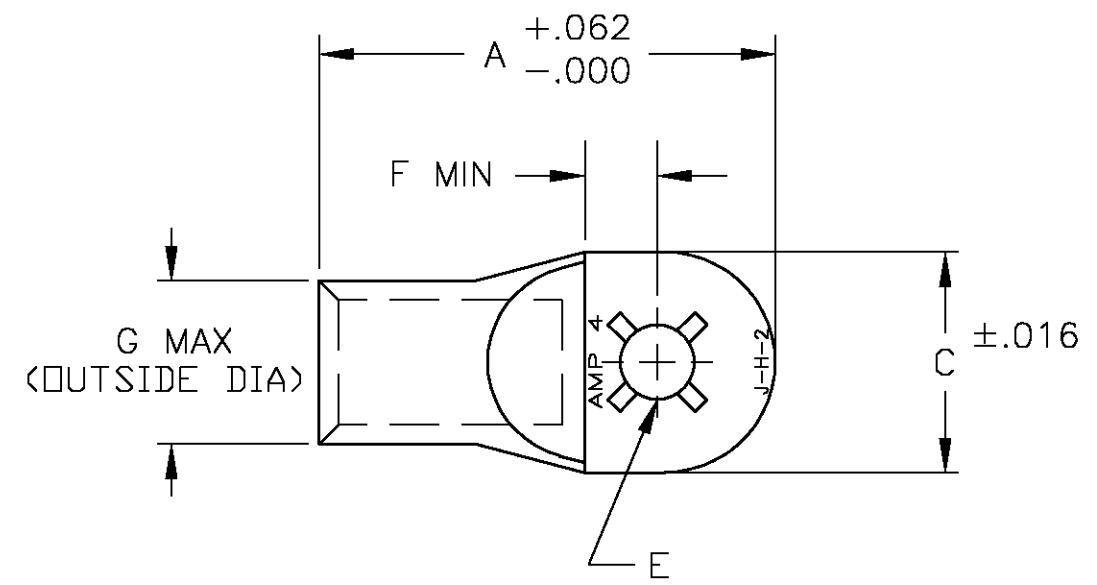
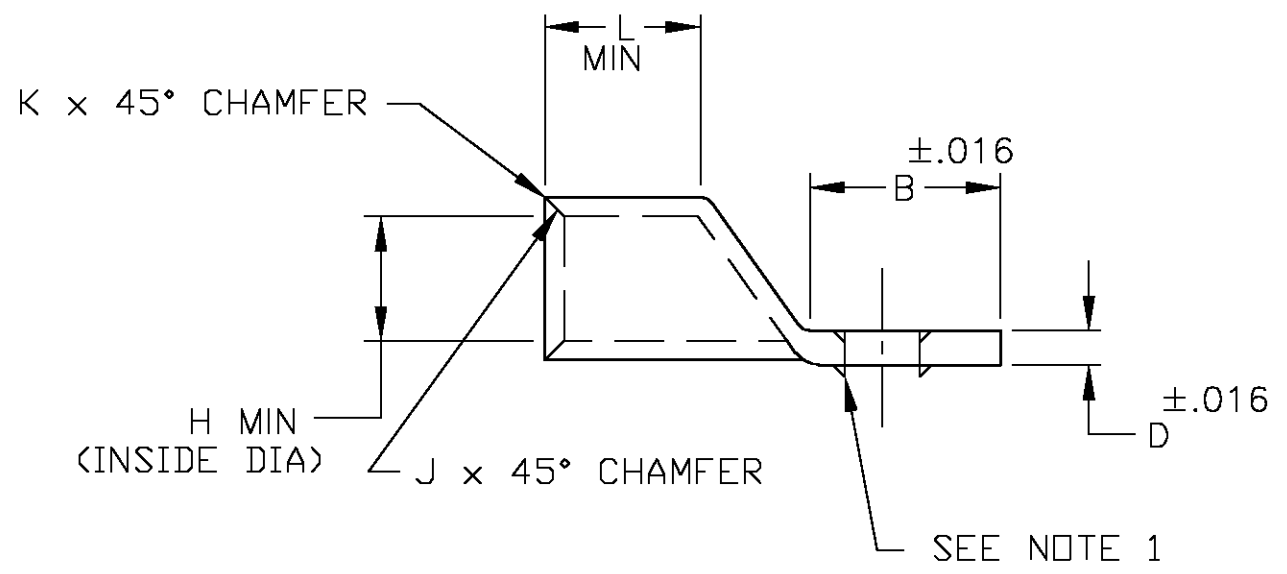


THIS DRAWING IS UNPUBLISHED. RELEASED FOR PUBLICATION
 © COPYRIGHT BY TYCO ELECTRONICS CORPORATION. ALL RIGHTS RESERVED.

LOC	DIST	REVISIONS					
G	86	P	LTR	DESCRIPTION	DATE	DWN	APVD
		D		REV PER 0G3A-0734-03	19NOV03	JR	MS



1. LOCKING LANCE FOR P/N -3 ONLY.



.375	.748 MIN	.032	.301	.454	.429	ø.394	.138	.630	.843	1.925	606289-5
.500	.748 MIN	.032	.301	.454	.543	ø.512	.109	.750	1.075	2.187	606289-4
.375	.748 MIN	.032	.301	.454	.424	ø.394	.141	.641	.831	1.906	606289-3
.312	.748 MIN	.032	.301	.454	.356	ø.328	.141	.641	.732	1.813	606289-2
.250	.748 MIN	.032	.301	.454	.309	ø.265	.141	.641	.591	1.693	606289-1
BOLT HOLE SIZE	L	J	H	G	F	E	D	C	B	A	PART NUMBER

THIS DRAWING IS A CONTROLLED DOCUMENT.		DWN L. HALL 18APRO0	Tyco Electronics Corporation Harrisburg, PA 17105													
DIMENSIONS: INCHES		CHK L.H. SMITH 12MAY00	AMP TUBULAR TERMINAL 4 AWG													
TOLERANCES UNLESS OTHERWISE SPECIFIED:		APVD B. ANTHONY 12MAY00	NAME													
<table border="0"> <tr><td>0 PLC</td><td>±</td></tr> <tr><td>1 PLC</td><td>±</td></tr> <tr><td>2 PLC</td><td>±.02</td></tr> <tr><td>3 PLC</td><td>±.005</td></tr> <tr><td>4 PLC</td><td>±.0005</td></tr> <tr><td>ANGLES</td><td>±3°</td></tr> </table>		0 PLC	±	1 PLC	±	2 PLC	±.02	3 PLC	±.005	4 PLC	±.0005	ANGLES	±3°	PRODUCT SPEC		RESTRICTED TO
0 PLC	±															
1 PLC	±															
2 PLC	±.02															
3 PLC	±.005															
4 PLC	±.0005															
ANGLES	±3°															
MATERIAL HIGH CONDUCTIVITY		APPLICATION SPEC		SIZE A3												
FINISH ELECTRO TIN PLATE		WEIGHT		CAGE CODE 00779												
CUSTOMER DRAWING		DRAWING NO C-606289		SCALE 1:1												
		SHEET 1 OF 1		REV D												